



JCK™

■ For your ordering reference

JCK - ST1 - 13 G

Air Cap Type
ST1 / SS1 / SS3 /
LV1 / LV2 / CN1

Tip Size
08 / 10 /
13 / 15 / 18

Feed Type
G: Gravity
S: Suction
P: Pressure

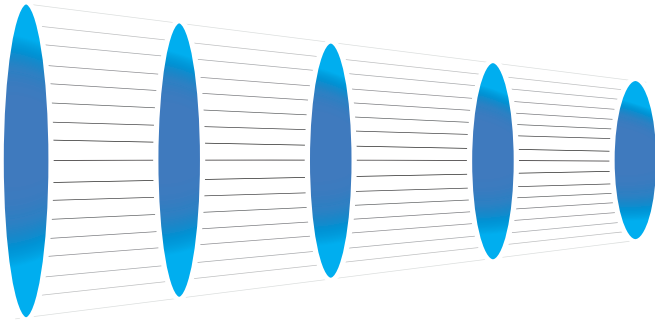
Model	Type of feed	Air Cap Name Part No.	Fluid Tip I.D. (mm)	Air Inlet Pressure (MPa)	Air Consumption (ℓ / min)	Fluid Output (mℓ / min)	Fan Pattern Size (mm)	Gun Weight (g)	
JCK	Gravity	SS1 (Conventional)	0.8	0.1	80	★ 50	★ 120	290	
			1.3			160	170		
			1.5			200	180		
		SS3 (Conventional)	1.8	0.24	145	250	190		
			1.0			★ 100	★ 220		
			1.3			135	240		
		ST1 (Conventional)	1.5	0.2	240	165			240
			1.8			200			
			1.3			120	130		
	Suction	SS3 (Conventional)	1.5	0.24	145	160	150		
			1.8			185	180		
			1.3			95	180		
		ST1 (Conventional)	1.5	0.2	240	115	190		
			1.8			140	210		
			1.0			100	160		
		Pressure	CN1 (Conventional)	0.8/1.0/1.3/1.5	0.24	220	200		210
							300		260
							100		150
	LV1 (LVMP)		0.8/1.0/1.3	0.2	230	200	200		
						300	250		
						100	200		
LV2 (LVMP)	0.8/1.0/1.3		0.2	230	200	270			
					300	320			
					100	160			

● Painting Conditions: Air Inlet Regulator = HARG-510 Paint Viscosity = 20sec ★13sec (IHS) Spray Distance = 200mm

Features

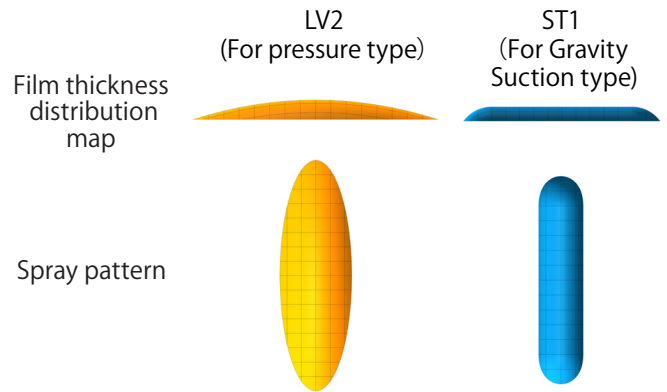
Ease of use and Durability

Pattern adjustment that can be adjusted more linearly



Film thickness distribution and spray pattern

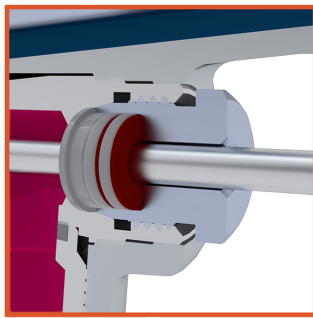
Adopts a highly versatile pattern shape



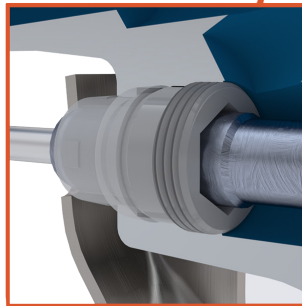
Designed with a focus on the basic performance of the spray gun



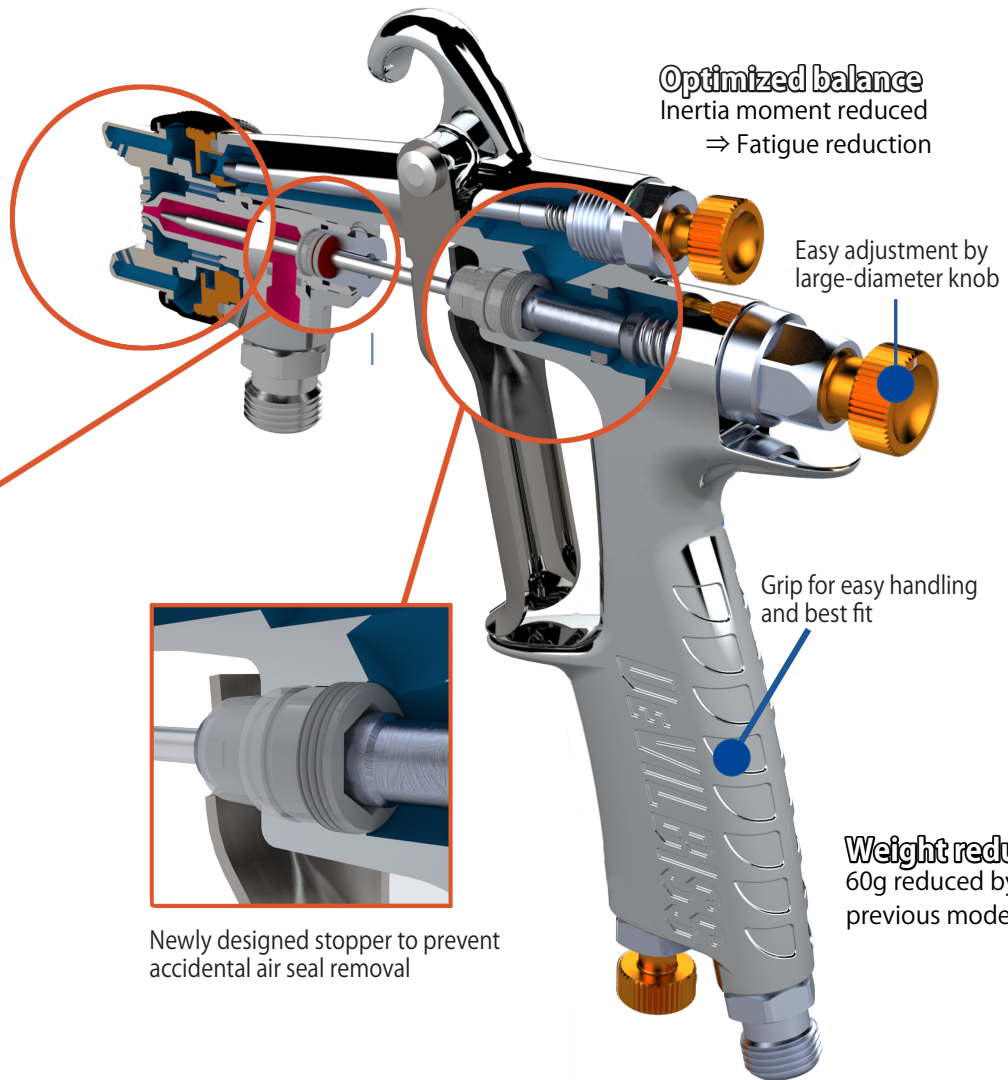
All stainless paint passage
Water based paint available



Newly designed needle packing
to prevent paint leakage



Newly designed stopper to prevent
accidental air seal removal



Optimized balance
Inertia moment reduced
⇒ Fatigue reduction

Easy adjustment by
large-diameter knob

Grip for easy handling
and best fit

Weight reduction
60g reduced by
previous model (JJ-K)



CFT Ransburg Japan KK

15-5, Fukuura 1-chome, Kanazawa-ku, Yokohama, Kanagawa Japan 236-0004
TEL : +81-45-785-6434 / FAX : +81-45-785-6517
<http://www.carlisleft.co.jp/>

©DeVILBISS is a registered trademark of Carlisle Fluid Technologies.

For more information, please contact: