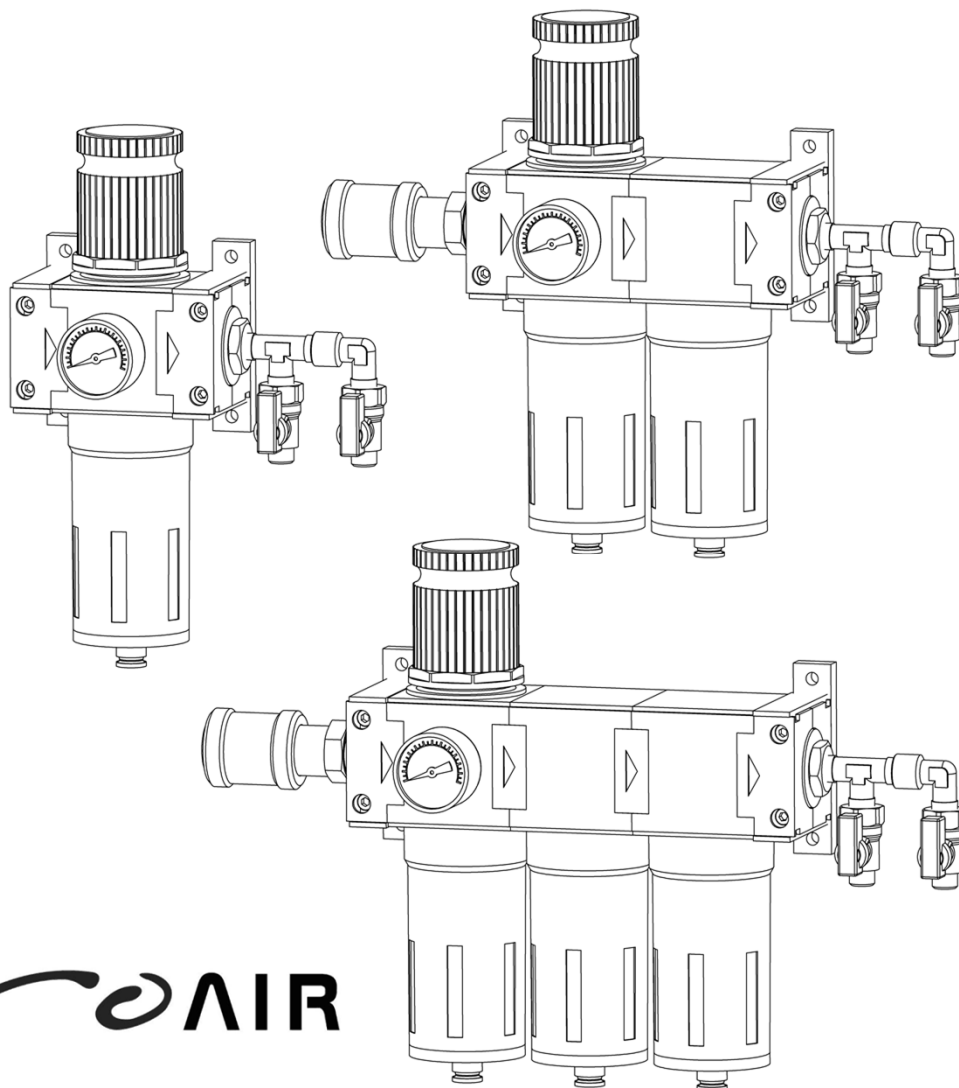


DEVILBISS PRO AIR Series :

PRO AIR 1, 2 & 3 Filter Regulator Units



ProAIR

IMPORTANT! DO NOT DESTROY

It is the Customer's responsibility to have all operators and service personnel read and understand this manual.

Contact your local Devilbiss representative for additional copies of this manual.

READ ALL INSTRUCTIONS BEFORE OPERATING THIS DEVILBISS PRODUCT.

FUNCTIONAL DESCRIPTION

PRO AIR is a range of compact compressed air regulator and filters suitable for 1 or 2 operators. PRO AIR 2 and 3 are suitable for use with Respiratory Personal Equipment such as the Devilbiss PRO VISOR and Half Mask kits.

PRO AIR 1 Filter - Incoming air is rotated by a centrifuge unit to remove the heaviest liquid and solid particles. The remaining solid particles are collected by a porous filter to 5µm. The accumulated liquid can be drained using the plug in the base of the bowl.

Regulator - This allows the input pressure to be reduced to a stable output pressure following initial filtering.

PRO AIR 2 as above, but to include a Coalescer - This removes the smallest amounts of liquid and solids down to 0.01µm. The liquid droplets are captured on micro fibres, these form larger droplets and collect in the bowl which can be drained using the plug at the base of the bowl.

PRO AIR 3 as above, but to include an Activated Carbon element - This element filters in a similar way to the coalescer, but will remove oil carry over to 0.003 ppm.

Shut of valves - Each of the 2 outlets can be isolated independently.

SPECIFICATIONS

		PROAIR-1	PROAIR-2	PROAIR-3
Air Supply Connection		1/2" BSP female		
Air Outlet Connections		1/4" BSP male x 2 with shut off valve		
Gauge port		1/8" BSP female		
Gauge range		0- 11 bar (0- 160psi)		
Size:	Width	185	330	395
	Height	280	280	280
Weight		2300g	3375g	4205g
Maximum:	Air flow	3500 l/min	900 l/min	900 l/min
	Air supply pressure	13 bar		
	Regulated air pressure	0- 8 bar		
	Operating temperature	80°C		
Degree of filtration:	Output air quality class ISO8573-1:	3.7.4	1.7.2	1.7.1
Element Life		1000 Hours		
Filter condensate/ Coalescer drain		Semi-Automatic		

Product Description/Object of Declaration: Pro Air 1, 2, 3

Suitable for use in hazardous area: Zone 1

Protection Level: II 2G IIB D c T5

Notified body details and role:

This Declaration of conformity/ incorporation is issued under the sole responsibility of the manufacturer: Finishing Brands UK Ltd,
Ringwood Road,
Bournemouth, BH11 9LH. UK

EU Declaration of Conformity



The object of the declaration described above is in conformity with the relevant Union harmonisation legislation and regulations

ATEX Directive 2014/34/EU

by complying with the following statutory documents and harmonized standards:

EN 13463-1:2009 Non electrical equipment for use in potentially explosive atmospheres - Basic methods and requirements

EN 13463-5:2011 Non electrical equipment for use in potentially explosive atmospheres - Protection by constructional safety "c"

The Machinery Directive 2006/42/EU does not apply to the above products as they are not considered machines/quasi machines nor are they safety products. Both CETOP (European Fluid Power Committee) and the Machinery Working Group of the European Commission have made a clear statement in this sense. Please refer to the CETOP document.



Providing all conditions of safe use / installation stated within the product manuals have been complied with and also installed in accordance with any applicable local codes of practice.

Signed for and on behalf of Finishing Brands
UK Ltd:

D Smith
20/4/16

Director of Sales (EMEA)
Bournemouth, BH11 9LH, UK

In this part sheet, the words WARNING, CAUTION and NOTE are used to emphasise important safety information as follows:

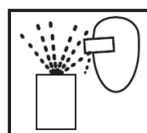
 WARNING	 CAUTION	NOTE
Hazards or unsafe practices which could result in severe personal injury, death or substantial property damage.	Hazards or unsafe practices which could result in minor personal injury, product or property damage.	Important installation, operation or maintenance information.

 **WARNING**

Read the following warnings before using this equipment.



READ THE MANUAL. Before operating finishing equipment, read and understand all safety, operation and maintenance information provided in the operation manual. Users must comply with all local and national codes of practice and insurance company requirements governing ventilation, fire precautions, operation and house-keeping of working areas.



PROJECTILE HAZARD. You may be injured by venting liquids or gases that are released under pressure, or flying debris.



STATIC CHARGE. Fluid may develop a static charge that must be dissipated through proper grounding of the equipment, objects to be sprayed and all other electrically conductive objects in the dispensing area. Improper grounding or sparks can cause a hazardous condition and result in fire, explosion or electric shock and other serious injury.



EQUIPMENT MISUSE HAZARD. Equipment misuse can cause the equipment to rupture, malfunction or start unexpectedly and result in serious injury.



LOCK OUT / TAG-OUT. Failure to de-energise, disconnect, lock out and tag-out all power sources before performing equipment maintenance could cause serious injury or death.



PRESSURE RELIEF PROCEDURE. Always follow the pressure relief procedure in the equipment instruction manual.



INSPECT THE EQUIPMENT DAILY. Inspect the equipment for worn or broken parts on a daily basis. Do not operate the equipment if you are uncertain about its condition.



WEAR SAFETY GLASSES. Failure to wear safety glasses with side shields could result in serious eye injury or blindness.



OPERATOR TRAINING. All personnel must be trained before operating finishing equipment.



NEVER MODIFY THE EQUIPMENT. Do not modify the equipment unless the manufacturer provides written approval.



KNOW WHERE AND HOW TO SHUT OFF THE EQUIPMENT IN CASE OF AN EMERGENCY.

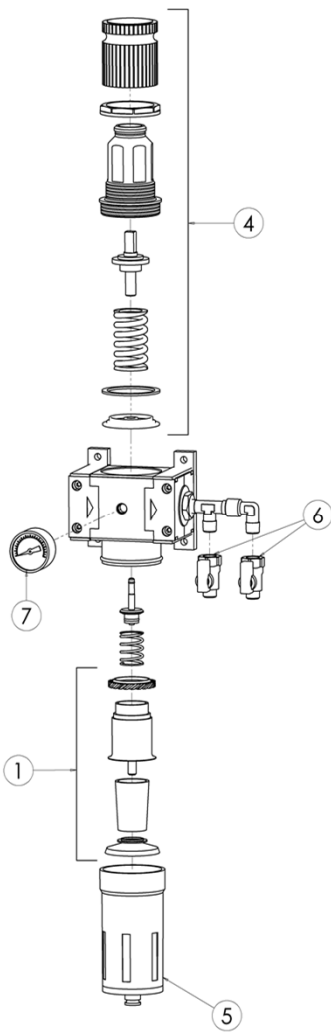
IT IS THE RESPONSIBILITY OF THE EMPLOYER TO PROVIDE THIS INFORMATION TO THE OPERATOR OF THE EQUIPMENT.

PARTS LIST

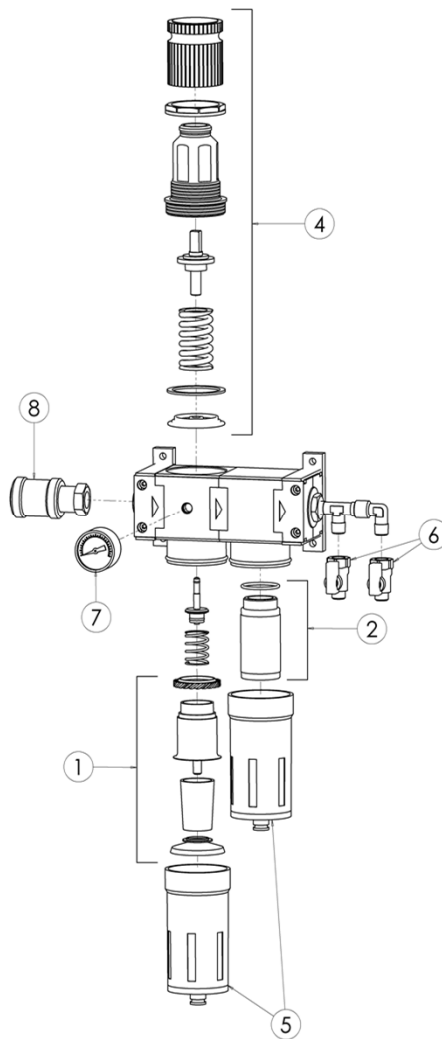
REF.	PART No.	DESCRIPTION	PROAIR-1 QTY	PROAIR-2 QTY	PROAIR-3 QTY
1	PROAIR-51	FILTER ELEMENT (5µm)	1	1	1
2	PROAIR-52	COALESCAR FILTER ELEMENT (0.01µm)	X	1	1
3	PROAIR-53	ACTIVATED CARBON FILTER ELEMENT	X	X	1
	PROAIR-62	KIT OF PROAIR-51 & 52	X	1	X
	PROAIR-63	KIT OF PROAIR-51, 52 & 53	X	X	1
4	PROAIR-71	UPPER COVER ASSEMBLY	1	1	1
5	PROAIR-72	METAL FILTER BOWL WITH DRAIN VALVE	1	2	3
6	SER-3414-MF	BALL VALVE 1/4" BSP (M) & (F)	2	2	2
7	GA-319	PRESSURE GAUGE 0-160 psi	1	1	1
8	DV-8000035	ISOLATION VALVE 1/2"	X	1	1

EXPLODED VIEW

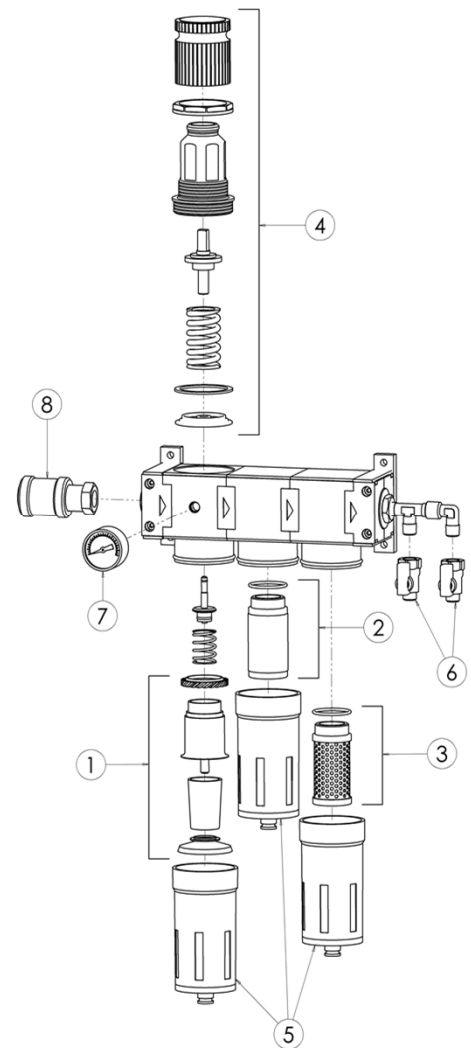
PROAIR-1



PROAIR-2

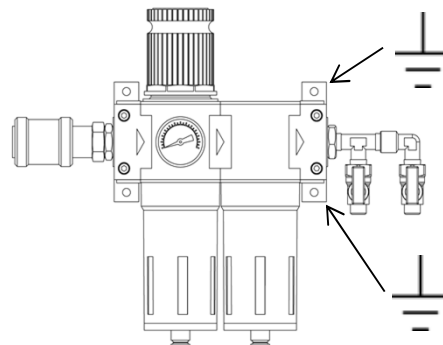


PROAIR-3



INSTALLATION

1. Do not install the unit above electrical or any other equipment that could be damaged by discharged condensate oil.
2. Ensure air flows through the unit in the direction of the arrows on the body.
3. Install the unit as near as possible to the point of use.
4. An isolation valve is fitted (8) to the inlet of the PRO AIR 2 & 3 for convenience when maintaining and to release condensate and oil from bowl. (see operation) Slide to the right towards the regulator to open. Slide to the left to close.
5. The unit should be mounted in an upright position.
6. Ensure the regulator is correctly earthed using the marked wall bracket on the outlet side of the unit as the earthing point as shown below and verify continuity from each Ball Valve (6) to another known earth point. A resistance of less than 1 K ohms should be achieved for dissipation of electrostatic charge. PRO AIR-2 shown.



OPERATION

1. Do not exceed the maximum working pressures and temperatures.
2. When regulating the pressure always adjust from a lower pressure increasing to the desired pressure, rather than from a higher pressure down.
3. To lock the set pressure depress the knob which prevents it being adjusted. To release the lock lift the knob up.
4. The drain valve on the bottom of the filter and coalescer can be used manually or semi-automatically.
 - a) Semi-Automatic - The valve push button is rotated to the left, in this mode when the air pressure is exhausted from the unit the push button opens under spring operation.
 - b) Manually - The valve push button rotated to the right shuts off the drain permanently, until it is rotated to the left when it can be pushed up to drain even when the unit is pressurised.

MAINTENANCE

Always de-pressurise the whole unit prior to carrying out any maintenance work, ensuring no pressure is locked in the unit or items attached to it. The regulator knob should be wound fully counter clockwise to exhaust all pressure after isolating.

Ensure earthing of the unit is not affected by maintenance activities, see installation on previous page.

Filter - To replace these items unscrew and remove bowl, unscrew the central bolt and pull the filter down.

Coalescer/ Activated carbon filter - To replace this item, unscrew and remove the bowl, then unscrew the filter element. Care should be taken when replacing the element not to cross the threads.

Gauge - When replacing this item , screw a new gauge in by hand only, do not use a spanner. Seal the thread using a liquid sealant, do not use PTFE tape.

Filter/ Coalescer/ Activated carbon filter periods for replacement

It is recommended that filter elements are replaced periodically i.e. when a drop in pressure is noticeable through the unit or every 6 months or 1000 hours use.

Do not use solvents or aggressive chemicals to clean the unit, which may affect the materials of construction.

Always use recommended and original parts and accessories.

WARRANTY POLICY

DeVilbiss products are covered by Finishing Brands one year materials and workmanship limited warranty. The use of any parts or accessories, from a source other than Finishing Brands, will void all warranties. For specific warranty information please contact the closest Finishing Brands location listed below.

Finishing Brands reserves the right to modify equipment specifications without prior notice. DeVilbiss®, Ransburg®, MS®, BGK®, and Binks® are registered trademarks of Carlisle Fluid Technologies, Inc., dba Finishing Brands.

© 2016 Carlisle Fluid Technologies, Inc., dba Finishing Brands.
All rights reserved.



DeVilbiss is part of Finishing Brands, a global leader in innovative spray finishing technologies. For technical assistance or to locate an authorised distributor, contact one of our international sales and customer support locations below.

USA/Canada

www.devilbiss.com
info@carlisleleft.com
Toll Free Tel: 1-800-992-4657
Toll Free Fax: 1-888-246-5732

Mexico

www.carlisleleft.com.mx
ventas@carlisleleft.com.mx
Tel: 011 52 55 5321 2300
Fax: 011 52 55 5310 4790

Brazil

www.devilbiss.com.br
vendas@carlisleleft.com.br
Tel: +55 11 5641 2776
Fax: +55 11 5641 1256

United Kingdom

www.carlisleleft.eu
info@carlisleleft.eu
Tel: +44 (0)1202 571 111
Fax: +44 (0)1202 573 488

France

www.carlisleleft.eu
info@carlisleleft.eu
Tel: +33(0)475 75 27 00
Fax: +33(0)475 75 27 59

Germany

www.carlisleleft.eu
info@carlisleleft.eu
Tel: +49 (0) 6074 403 1
Fax: +49 (0) 6074 403 281

China

www.carlisleleft.com.cn
mkt@carlisleleft.com.cn
Tel: +8621-3373 0108
Fax: +8621-3373 0308

Japan

www.ransburg.co.jp
overseas-sales@carlisleleft.co.jp
Tel: 081 45 785 6421
Fax: 081 45 785 6517

Australia

www.carlisleleft.com.au
sales@carlisleleft.com.au
Tel: +61 (0) 2 8525 7555
Fax: +61 (0) 2 8525 7575

